

Stock Code: **28102-BCP/CP**

Collection: **Glow**

PRODUCT INFORMATION

Base: 28102 Parent: 28102
Mounting Type: Ceiling UPC: 641594210446
Finish: Brushed Copper
Diffuser: Copper

PRODUCT MEASUREMENTS

FIXTURE	BACKPLATE / CANOPY
Length:	Length
Width:	Width:
Diameter 12"	Diameter: 5"
Height: 12"	Height: 1"
Extension:	
Overall Height: 14-132"	

TECHNICAL SPECIFICATIONS

SPECIFICATIONS

Frame Material: Aluminum	
Diffuser Material: Glass	
Lamping Type: E-26 (Incandescent)	Jbox: Standard
Lamping Base: E-26	Lamp Wattage: 100 W
Lamp Quantity: 1	Total Wattage: 100 W
Voltage: 120v	Lamps Included: No

QUALIFICATIONS

Location Rating Dry	
Certification: ETL (US/Canada) Listed	
ADA Compliant No	Energy Star: No
JA8 Compliant: No	Emergency Lighting: No
Marine Grade: No	Warranty: 1 Year

PHOTOMETRICS

Dimmable: Yes	Nominal Lumens N/A
CRI: N/A	Delivered Lumens: N/A
CCT: N/A	
Recommended Dimmers: (TRIAC)Any Standard Dimmer	

Additional Notes:

10 feet of clear cord included

Project Name: _____

Location: _____

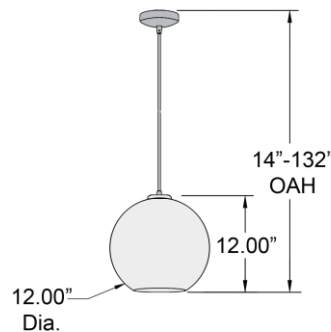
Type: _____

Quantity: _____

Notes: _____



LINE DRAWING



IES FILE

In addition to Access Lighting's purchase and warranty terms and conditions, by signing below or placing an order, you agree that you are authorized to bind the entity placing any order and acknowledge the following: All of sizes and measurements are approximate and all images are for illustrative purposes only. In the event of an inconsistency, the "Product Measurements" section controls. There also may be slight differences in the colors and designs compared to the displayed and printed images.

Signature: _____

Print Name _____ Date: _____

Toll Free 800-828-5483 www.AccessLighting.com

14410 Myford Road, Irvine, CA 92606

